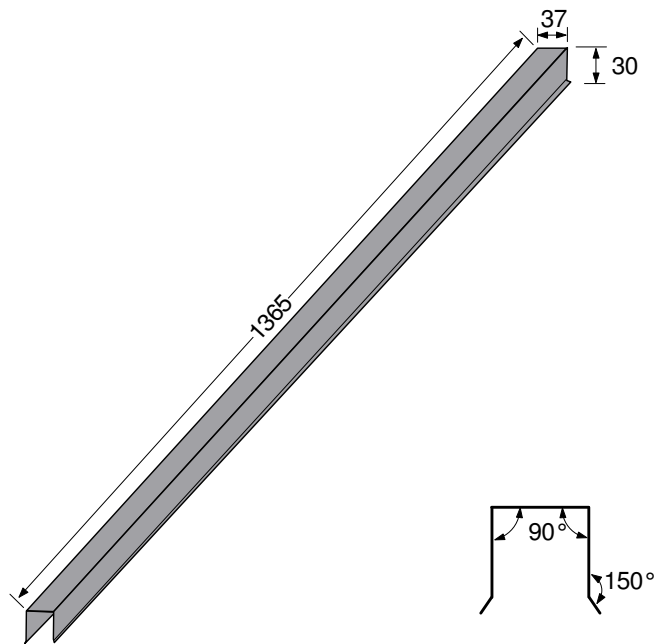


10-SRSC



Title: S SC Square Ridge SC	
Author: Metrotile	
Date: 03/10/2007	Sheet:
Revision:	