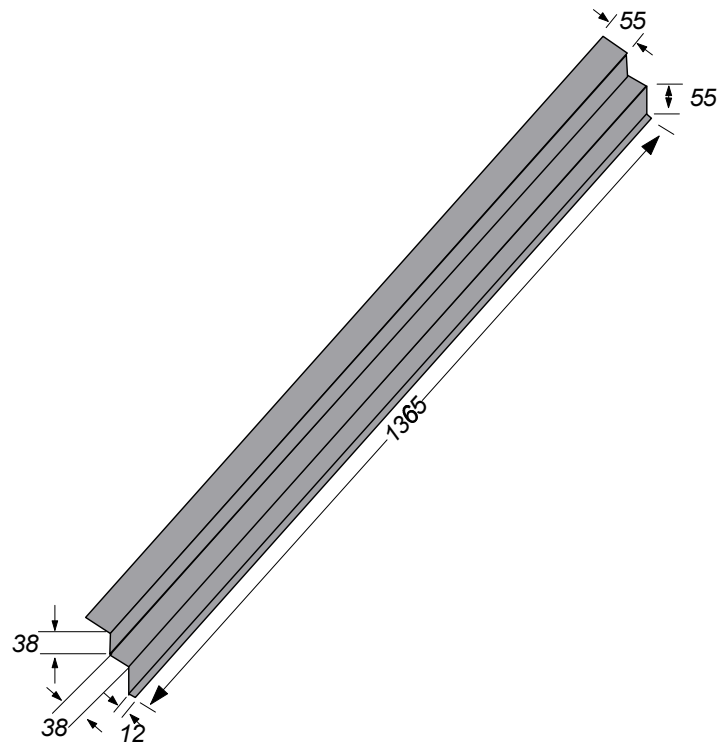


# 10-EAP



Title: <b>EAP</b> Eave Apron P	
Author: Metrofile	
Date: 28/02/2007	Sheet:
Revision:	