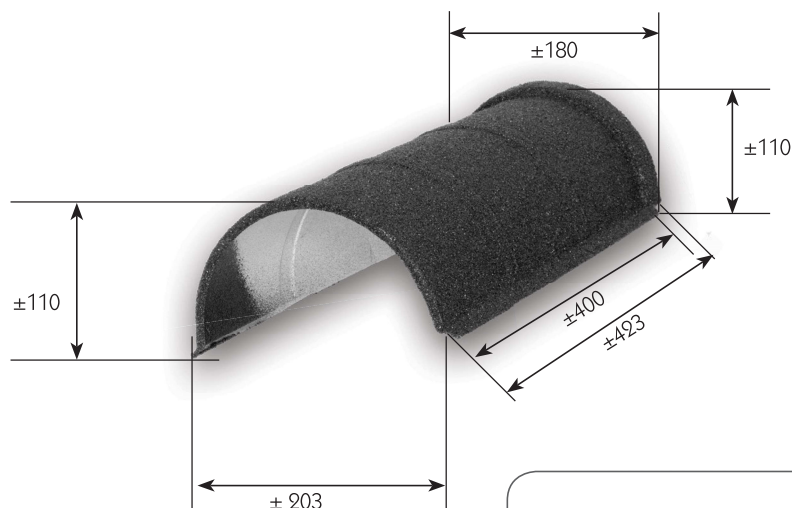
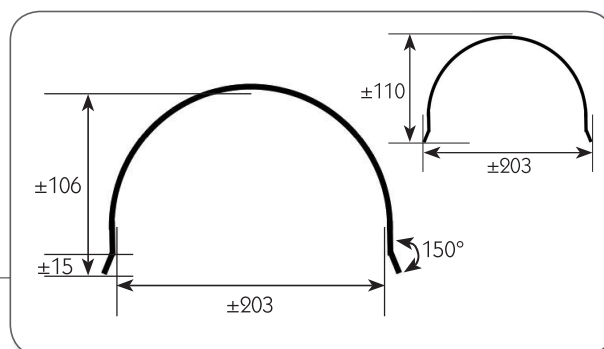


## Single Ridge Barrel 1RB.205

Hip and ridge accessory  
to give the roof a more rounded effect



Units in mm



### Design

The single ridge barrel is designed to give your roof a rounded 'finishing' effect. It is pressed from Zinc-Aluminium 185 or equivalent metal and available a wide range of colour in granules, satin, brilliance finish to comply with the rest of the roofing materials.

### Related products

Soon available!

### Specifications

Length*	±493 mm
Usefull length*	±400 mm
Width*	±203 mm
Weight*	0,655 kg
Colours	See colour charts

\* The measurements and the weight may vary slightly by the base steel and finish that is added to the accessory from -2mm to +2mm

### Packing

Pieces per pallet	738
Pieces per row in a pallet	163 (first row: 90)
Number of rows in a pallet	6
Pallet dimensions	1400 x 1100 mm
In boxes?	possible // 30 pieces/box