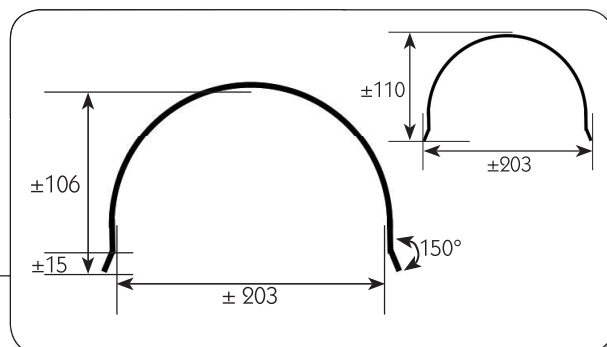
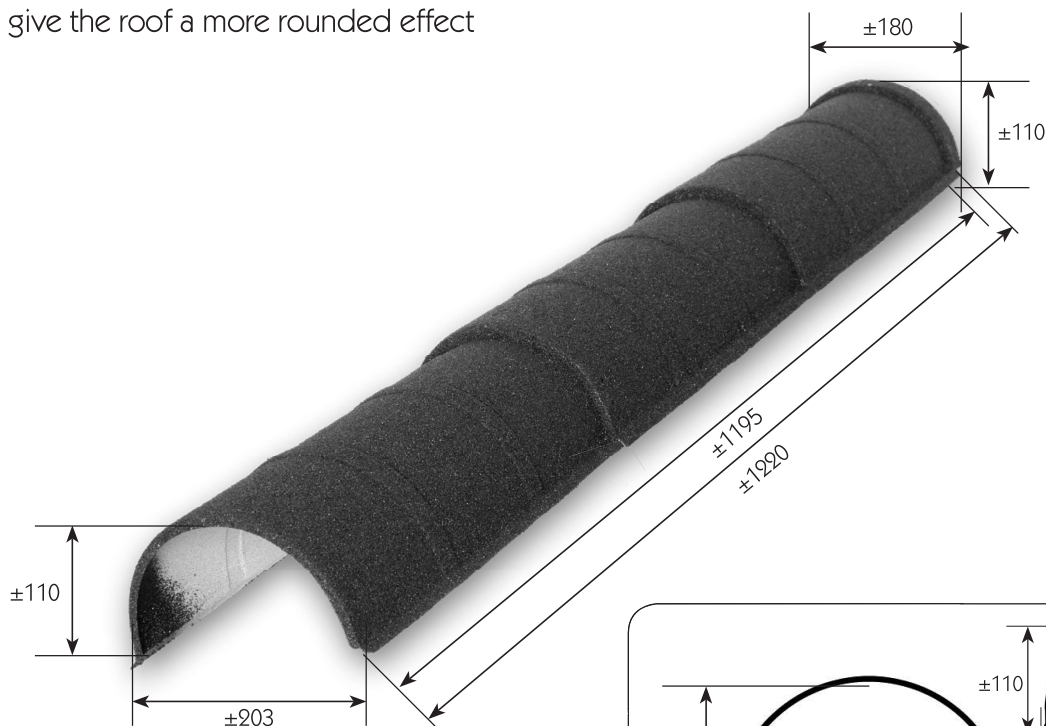


## Triple Ridge Barrel 3RB.205

Hip and ridge accessory  
to give the roof a more rounded effect



Units in mm

### Design

The triple ridge barrel is designed to give your roof a rounded 'finishing' effect. It is pressed from Aluzinc 185 or equivalent metal and available a wide range of colour in granules, satin, brilliance finish to comply with the rest of the roofing materials.

### Specifications

Length*	± 1920 mm
Usefull length*	± 1195 mm
Width*	± 203 mm
Weight*	± 1,785 kg
Colours	See colour charts

\* The measurements and the weight may vary slightly by the base steel and finish that is added to the accessory from -2mm to +2mm

### Packing

Pieces per pallet	280
Pieces per row in a pallet	70
Number of rows in a pallet	4
Pallet dimensions	1400 x 1100 mm
In boxes?	possible // 10 pieces/box