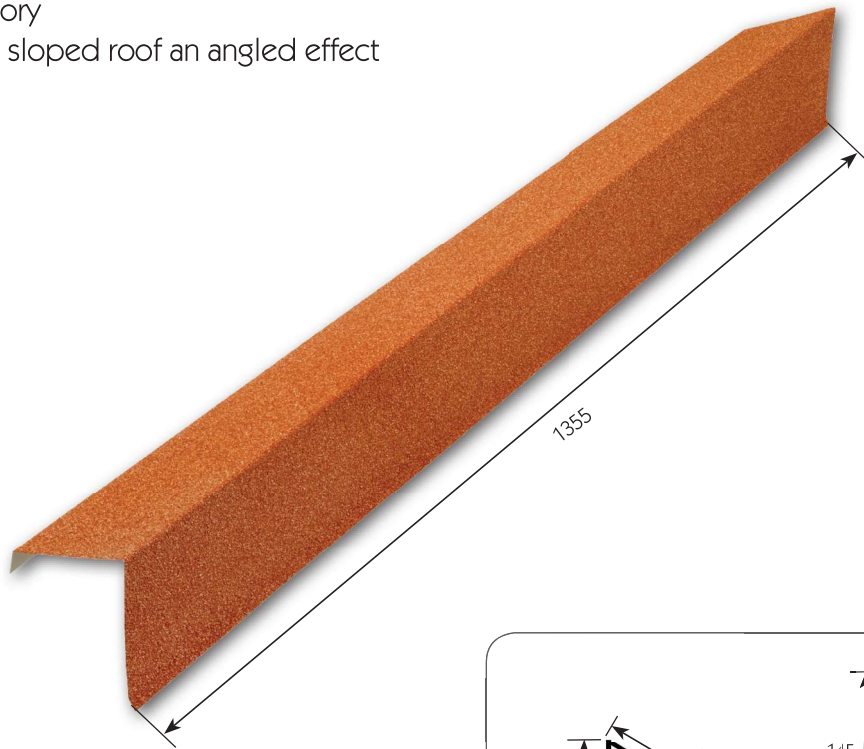
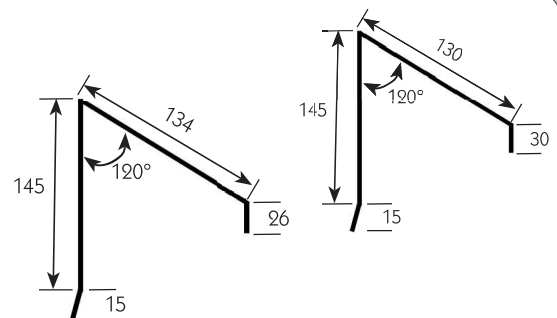


Mono pitch Ridge MPR

Ridge accessory
to give a one sloped roof an angled effect



Units in mm



Design

The mono pitch ridge is designed to give a one sloped roof an angled 'finishing' effect.

This accessory is compatible with all of the roofing panels except the Shingle.

It is pressed from Zinc-Aluminium 185 or equivalent metal and available a wide range of colour in granules, satin, brilliance finish to comply with the rest of the roofing materials.

Specifications

| | |
|---------|-------------------|
| Length* | 1355 mm |
| Weight* | ... kg |
| Colours | See colour charts |

* The measurements and the weight may vary slightly by the finish that is added to the accessory.

Packing

| | |
|----------------------------|---------------------------|
| Pieces per pallet | |
| Pieces per row in a pallet | |
| Number of rows in a pallet | |
| Pallet dimensions | |
| In boxes? | possible // 10 pieces/box |