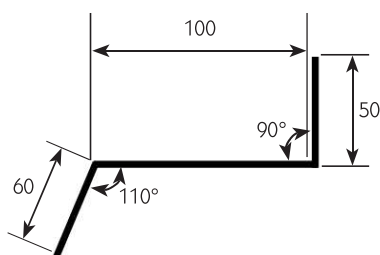
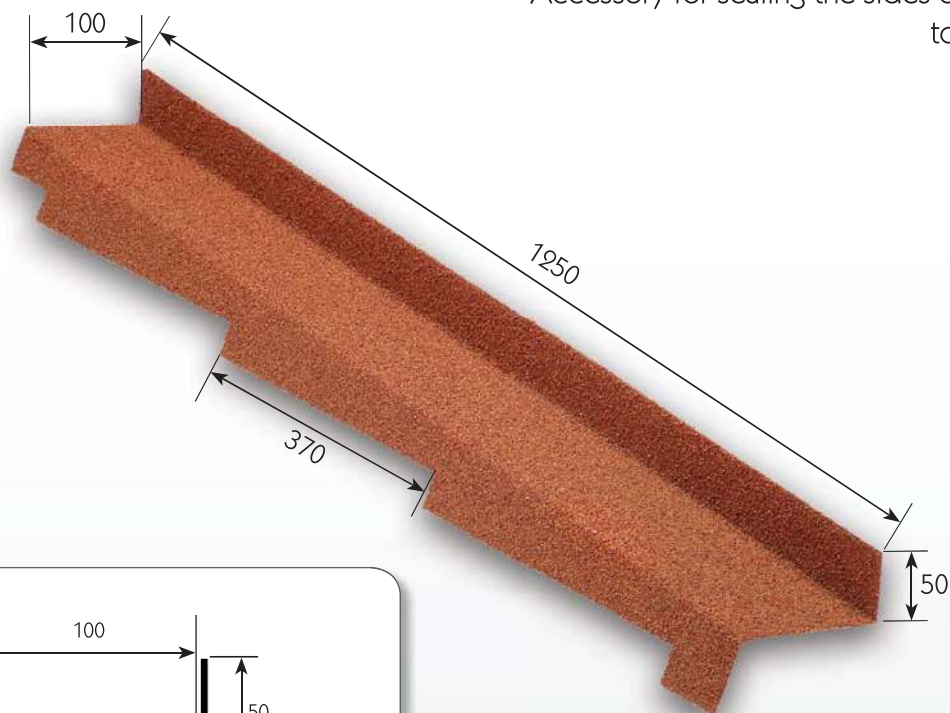


Side wall flashing right SWFR

Accessory for sealing the sides of the roof to the wall.



Units in mm

Specifications

Length*	1250 mm
Usefull length*	1100 mm
Width*	100 mm
Weight*	1,20 kg
Colours	See colour charts

* The measurements and the weight may vary slightly by the finish that is added to the accessory.

Packing

Pieces per pallet	360
Pieces per row in a pallet	60
Number of rows in a pallet	6
Pallet dimensions	1400 x 1100 mm
In boxes?	possible // 10 pieces/box

Design

The rightsided wall flashing is designed to make a nice finish between your roof and the wall that is next to it.

This accessory is compatible with all of the roofing panels except the Shingle.

It is pressed from ALUZINC 185 metal and available a wide range of colour in granules, satin, brilliance finish to comply with the rest of the roofing materials.

Application

A side wall flashing is for sealing the tiles at the side of the roof to the wall.