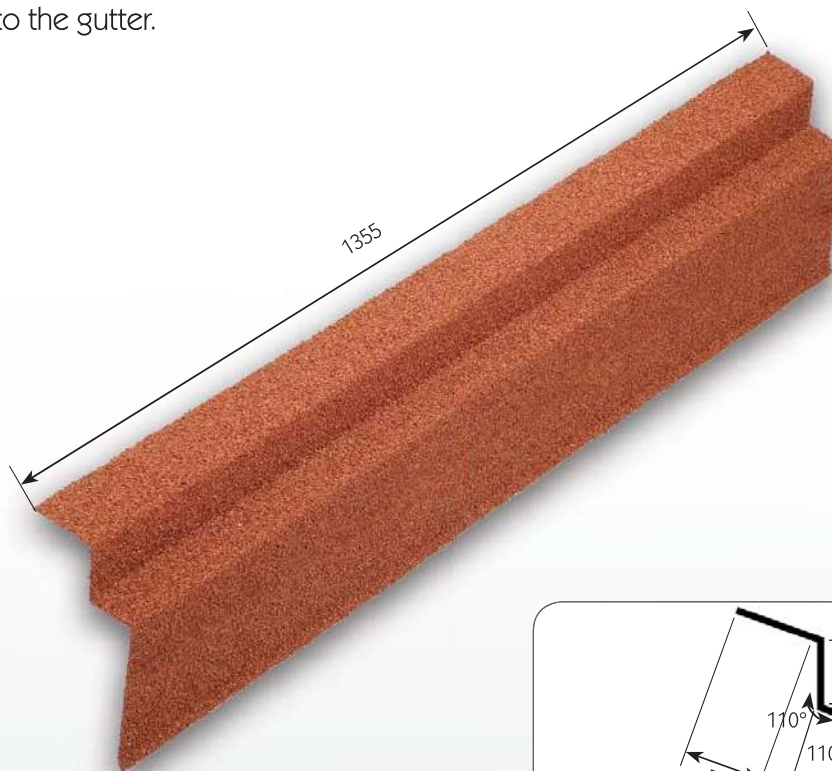


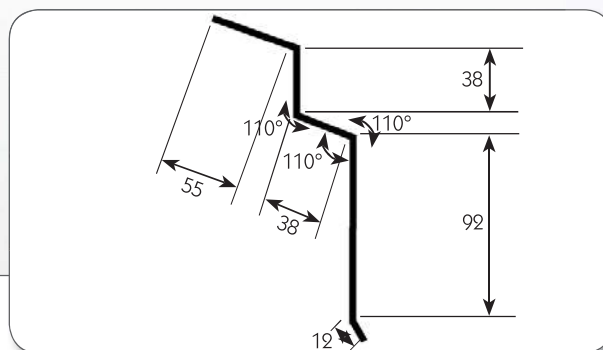
Eave Apron

EA

Accessory to protect the fascia and a nice finishing to the gutter.



Units in mm



Design

The eave apron is designed to meet a wide range of structural variations for covering the fascia at the bottom course of tile.

This accessory is compatible with all of the roofing panels except the Shingle.

It is pressed from ALUZINC 185 metal and available a wide range of colour in granules, satin, brilliance finish to comply with the rest of the roofing materials.

Application

The eave apron has to be installed before the laying the tiles on the roof.

Specifications

Length*	1355 mm
Weight*	1,60 kg
Colours	See colour charts

* The measurements and the weight may vary slightly by the finish that is added to the accessory.

Packing

Pieces per pallet	300
Pieces per row in a pallet	50
Number of rows in a pallet	6
Pallet dimensions	1400 x 1100 mm
In boxes?	possible // 10 pieces/box